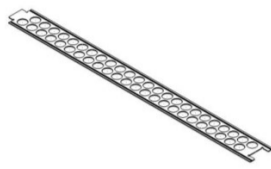


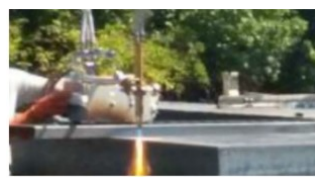
Rail option



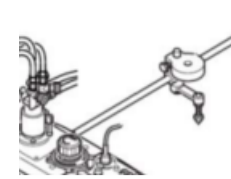
1.8M Extendable rail
S/N: BCD19102 ②



Circle rail
S/N: BCD19109



EPOCH rail
S/N: BCD19108



Circle cut attachment
S/N: 60030389

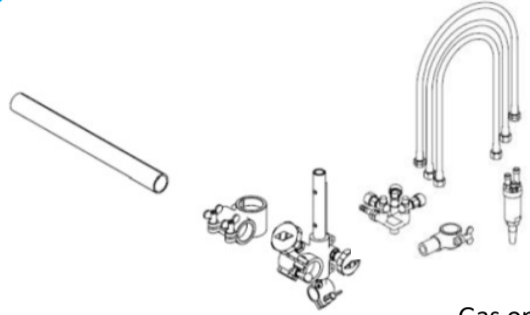


Rail Fixing magnet DS6010
S/N: 323-6015 (for 1pc)
323-6020 (for 10pcs)



Torch set

Gas cutting



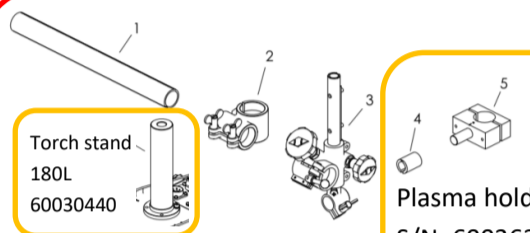
Gas cutting torch set ③

*Compatible with IK-12MAX3.
Please refer to price list of IK-12MAX3 separately.



Gas option →

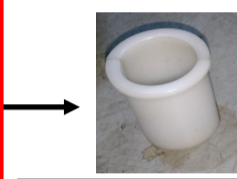
Plasma cutting



Torch stand
180L
60030440

Plasma holder ϕ 35
S/N: 60036271
Bush ϕ 16 - 24
S/N: 60061282

Plasma torch holder set
S/N: 20511063 ④

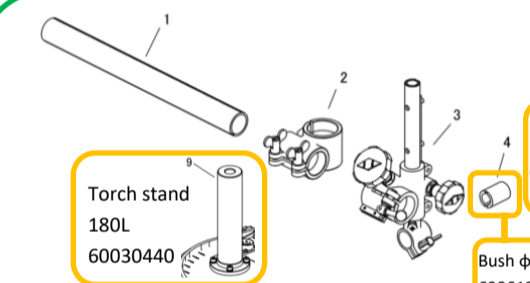


Torch bush
 ϕ 25_S/N: 60038070
 ϕ 30_S/N: 60038073



Plasma torch
• POWERMAX
Mini machine torch
• YP-08PE3(Panasonic)
• CTPW-0801/1201(Daihen)

Welding



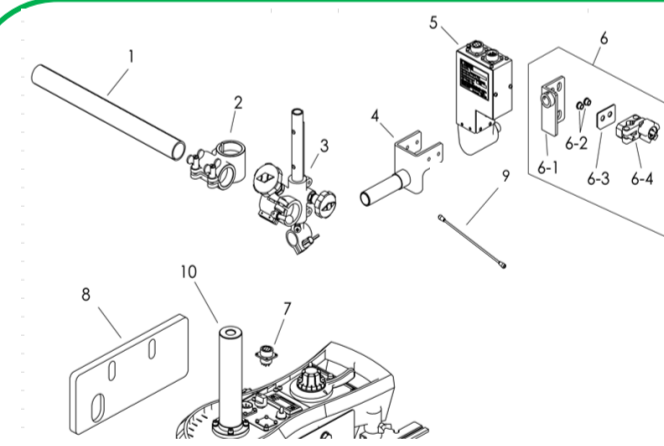
Torch stand
180L
60030440

Bush ϕ 16-24
60061282

Torch holder assy'
20504624

Welding holder set _ S/N: 20511050 ⑤

Welding with Weaver



Weaving holder set _ S/N: 20511065 ⑥

IK-12NEXT

Main body ①

with std. power cable
(AC100 - 240V, 1-phase)

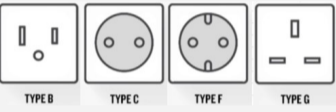
S/N is depend on type of power plug:

Type B: 20511045

Type C: 20511047

Type F: 20511046

Type G: Pending



Signal cable and option for Plasma and Welding type

Plasma cutting



Adapter cable for Plasma type :
For POWERMAX-85_S/N: 20507684
For D8000_S/N: 20507681
For D12000_S/N: 20507680



Recommended Plasma power source :
PF-80 (Panasonic) / POWERMAX-85(Hypertherm)
/ D8000 or D12000 (DAIHEN)

⑦ Welding/Plasma signal cable

*S/N is depending on type of power plug :
Type B: 61004860. Type C: 20509452
Type F: Pending Type G: Pending

Welding



Welding power source

※Plug on signal cable shall be arranged by customer depending on welding power source